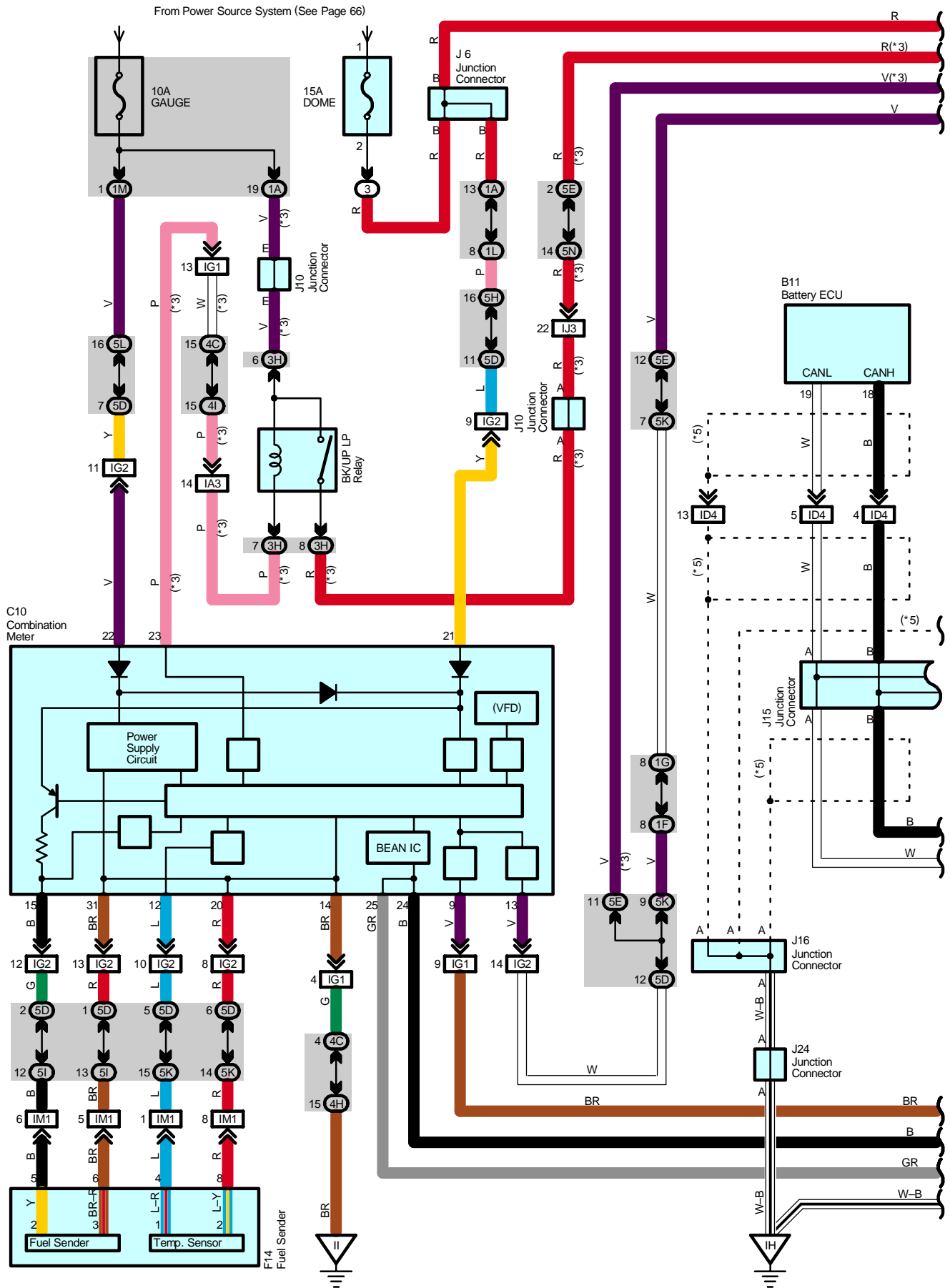
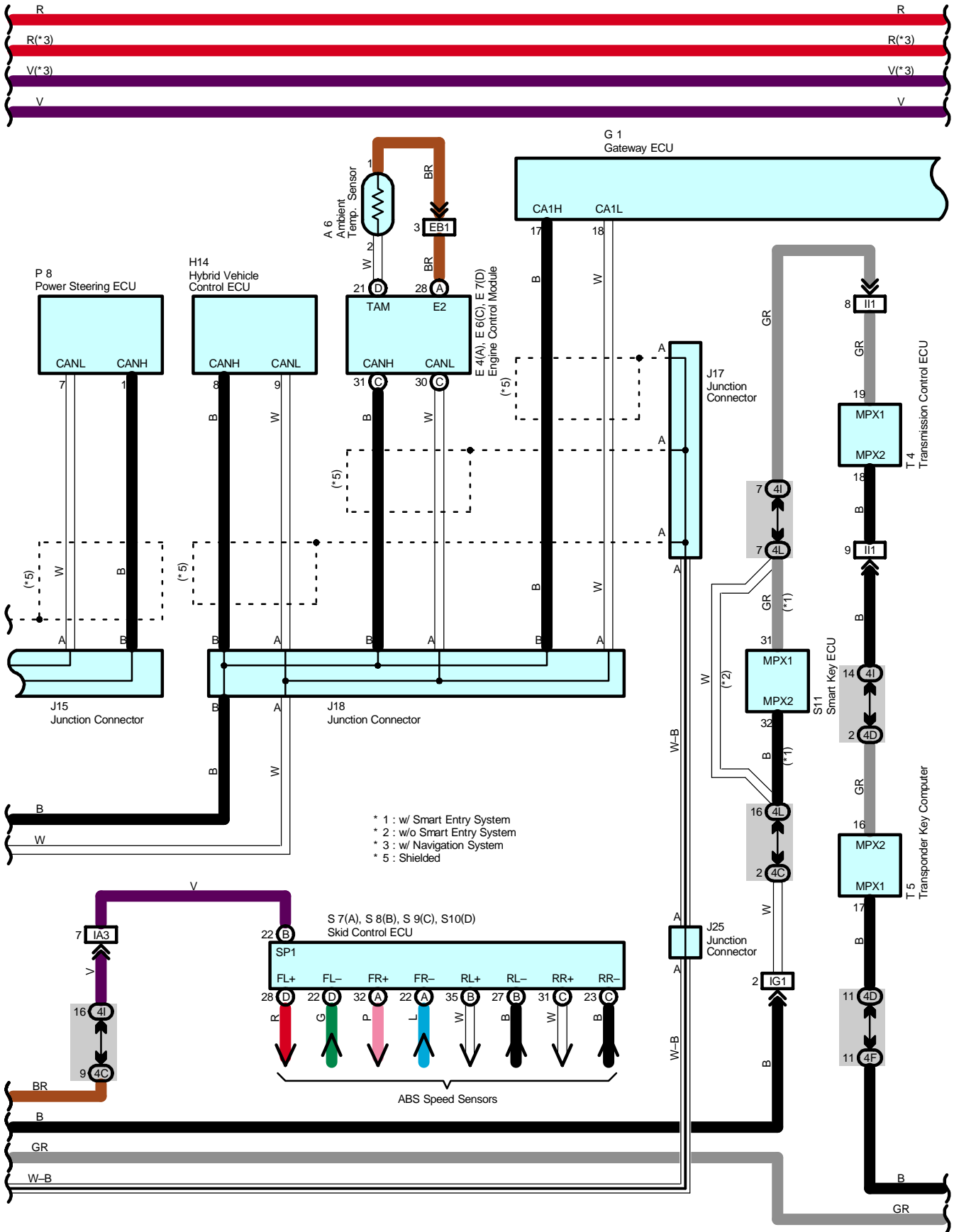
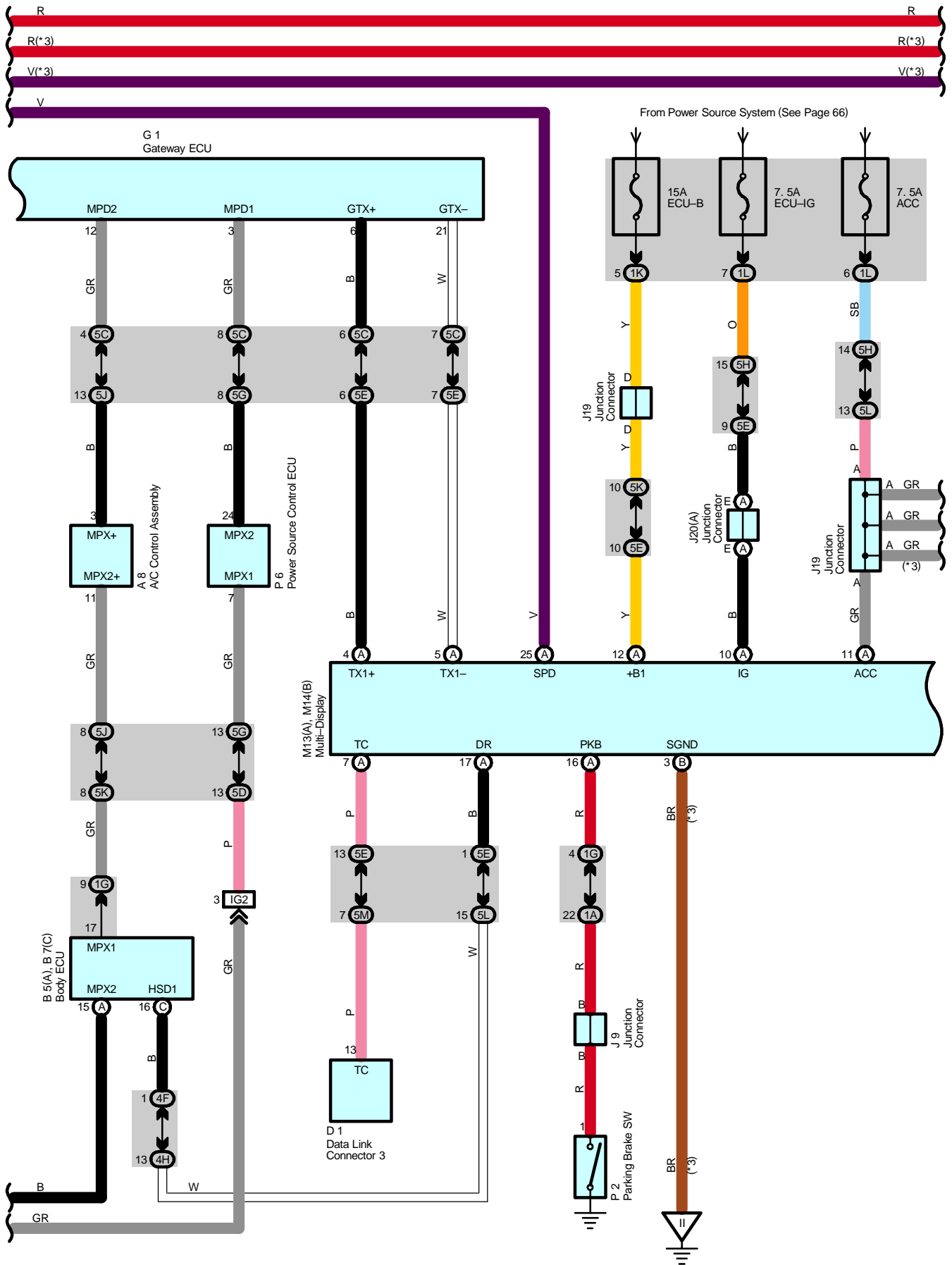


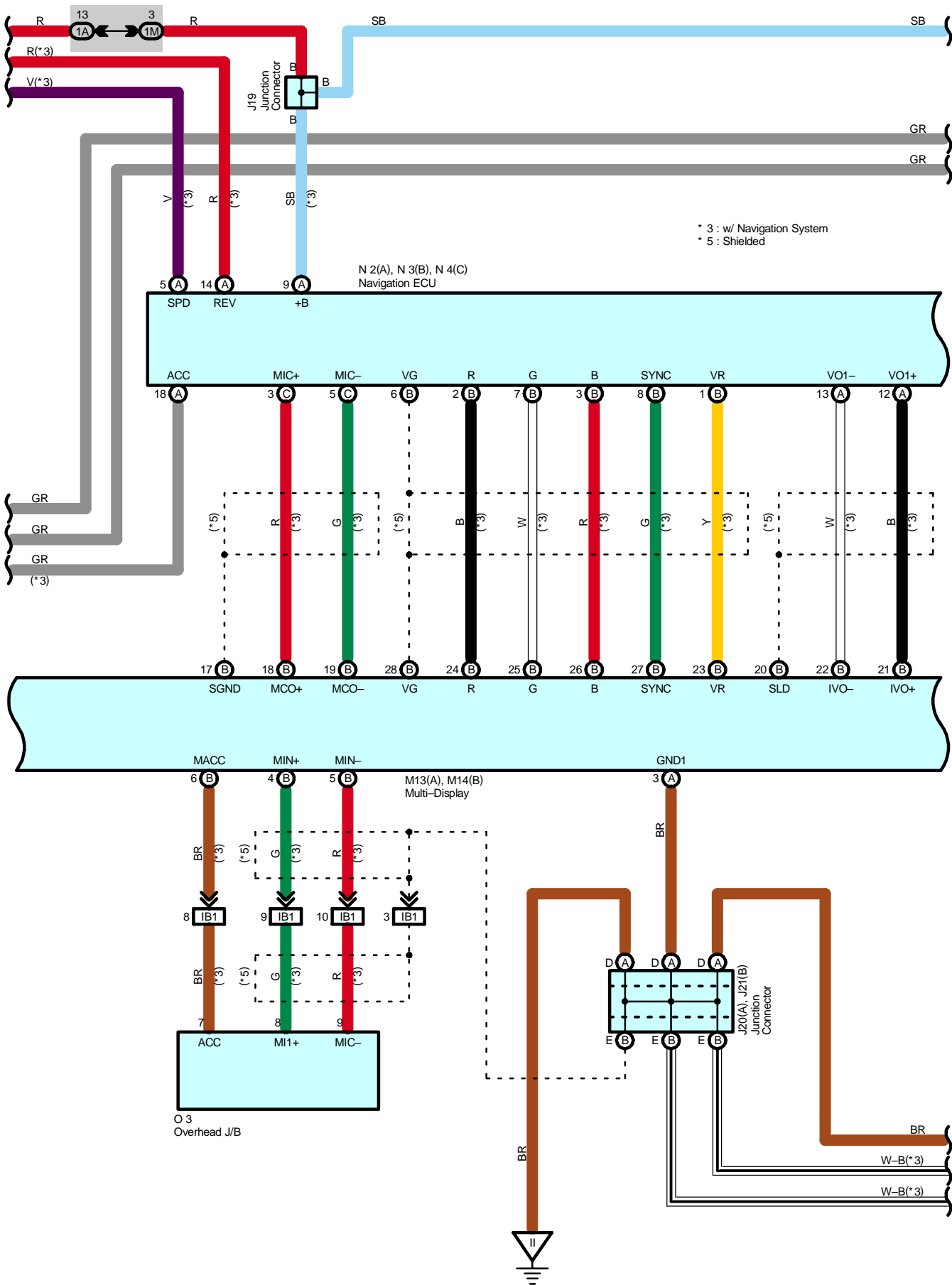
Multi-Display and Audio System with Separate Amplifier



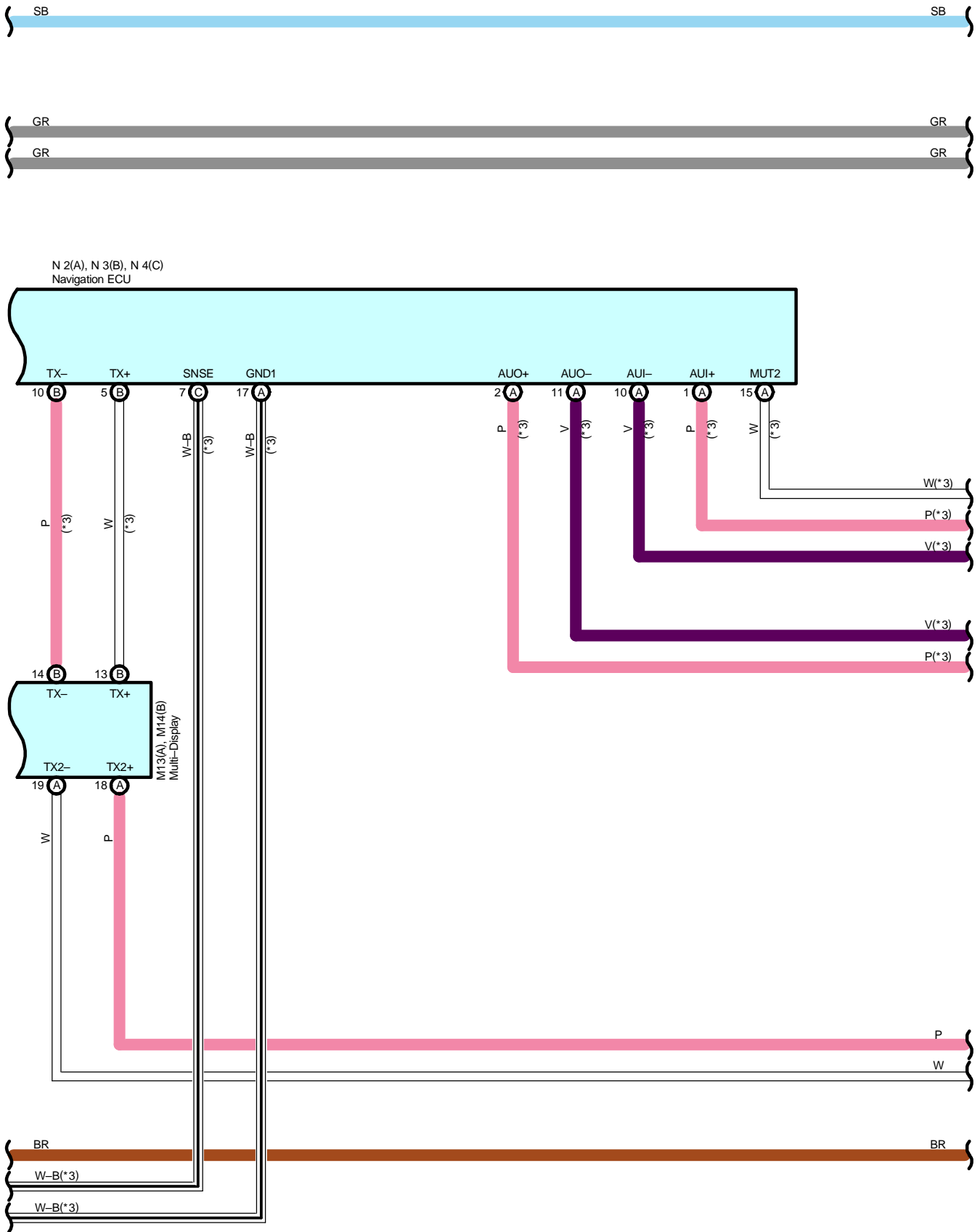


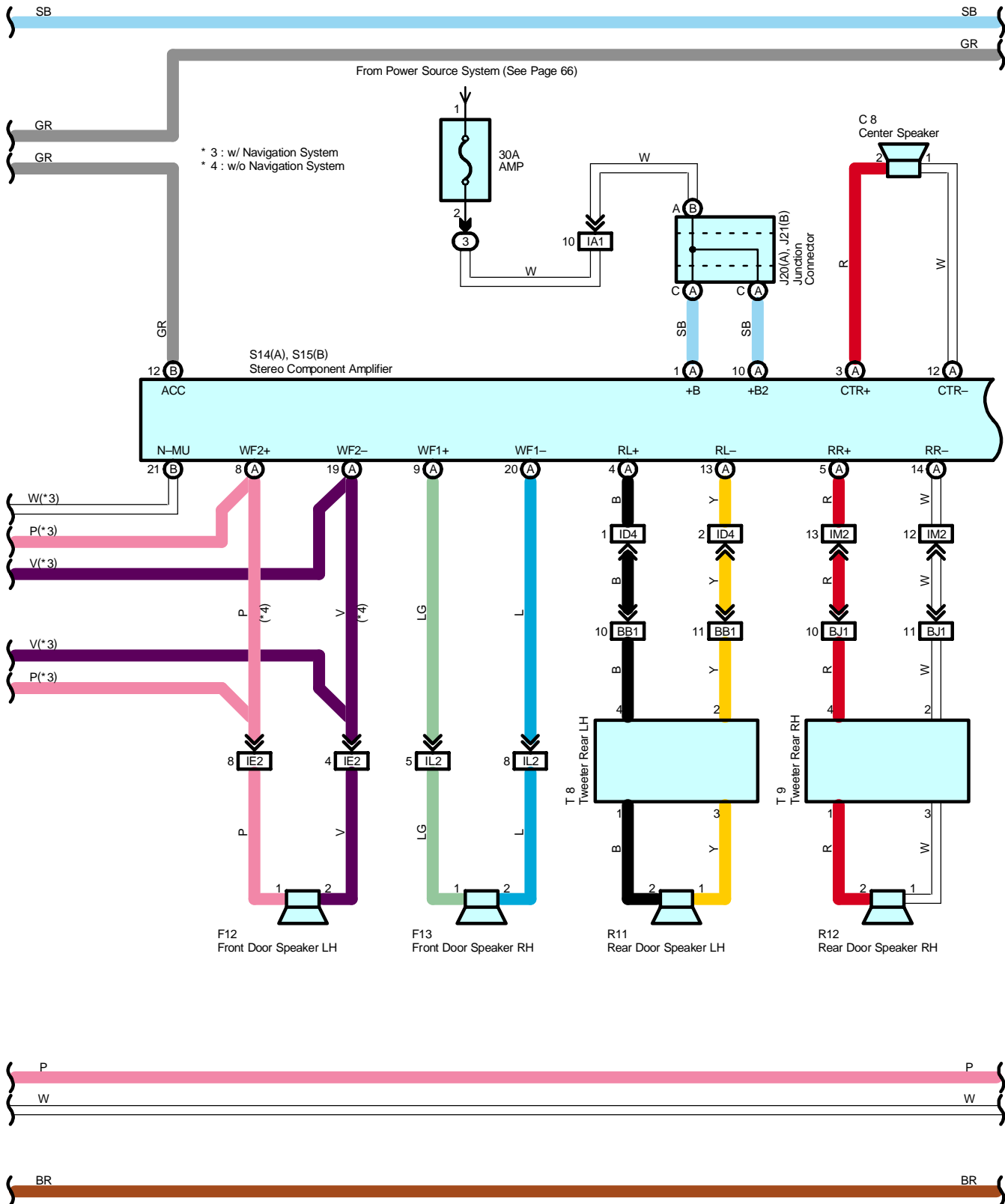
Multi-Display and Audio System with Separate Amplifier



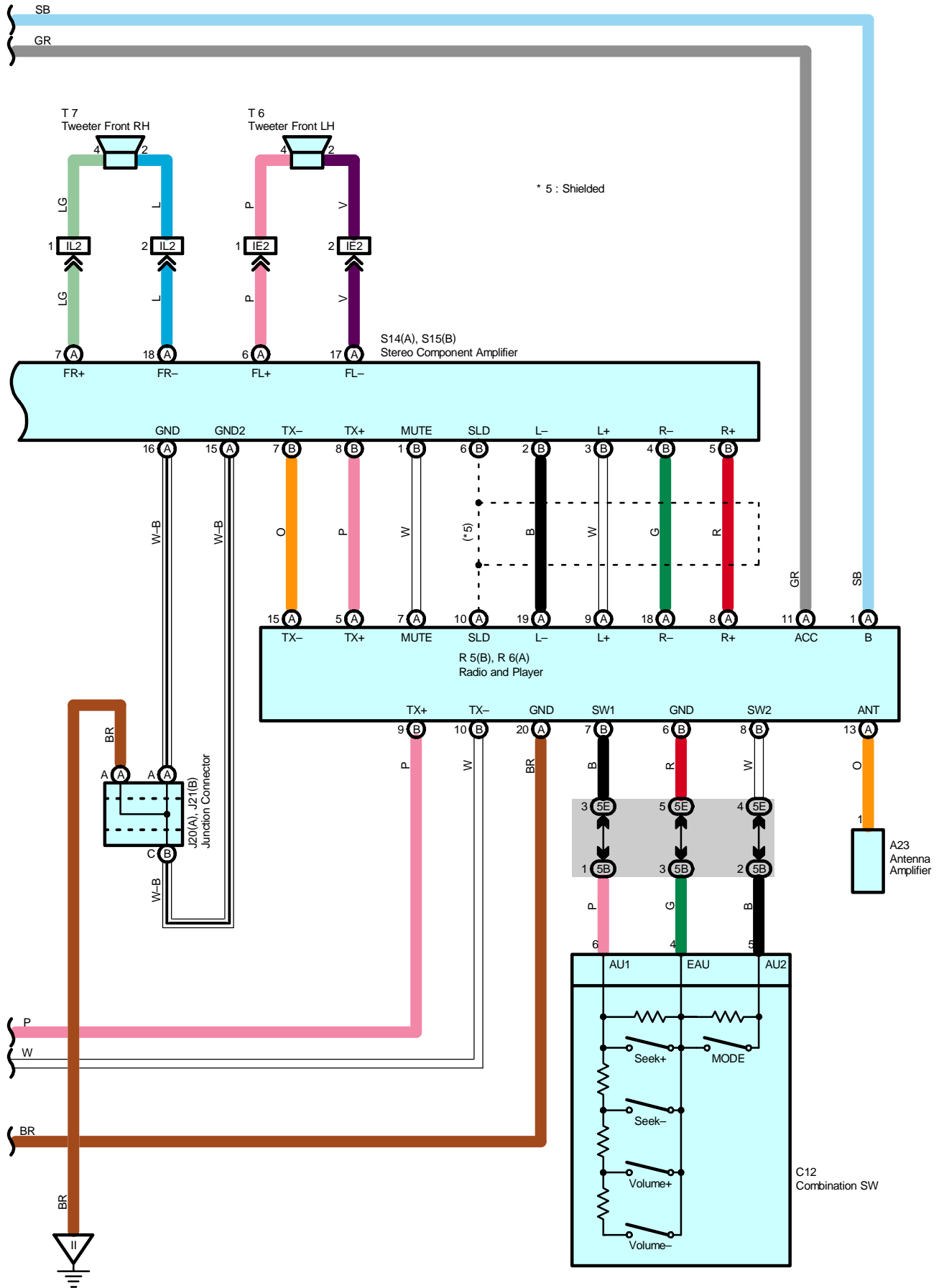


Multi-Display and Audio System with Separate Amplifier





Multi-Display and Audio System with Separate Amplifier



Service Hints

R6 (A) Radio and Player

- (A)11–Ground : Approx. 12 volts with the power SW at ACC ON or IG ON position
- (A) 1–Ground : Always approx. 12 volts
- (A)20–Ground : Always continuity

S14 (A), S15 (B) Stereo Component Amplifier

- (B)12–Ground : Approx. 12 volts with the power SW at ACC ON or IG ON position
- (A) 1, (A) 10–Ground : Always approx. 12 volts
- (A)15, (A) 16–Ground: Always continuity

N2 (A), N4 (C) Navigation ECU

- (A)18–Ground : Approx. 12 volts with the power SW at ACC ON or IG ON position
- (A) 9–Ground : Always approx. 12 volts
- (A) 17, (C) 7–Ground : Always continuity

M13 (A), M14 (B) Multi–Display

- (A)12–Ground : Always approx. 12 volts
- (A)10–Ground : Approx. 12 volts with the power SW at IG ON position
- (A)11–Ground : Approx. 12 volts with the power SW at ACC ON or IG ON position
- (A) 3, (B) 3–Ground : Always continuity

○ : Parts Location

| Code | See Page | Code | See Page | Code | See Page |
|--------|----------|---------|----------|---------|----------|
| A6 | 44 | J9 | 48 | P8 | 49 |
| A8 | 46 | J10 | 48 | R5 B | 49 |
| A23 | 46 | J15 | 48 | R6 A | 49 |
| B5 A | 46 | J16 | 48 | R11 | 52 |
| B7 C | 46 | J17 | 48 | R12 | 52 |
| B11 | 50 | J18 | 48 | S7 A | 49 |
| C8 | 47 | J19 | 48 | S8 B | 49 |
| C10 | 47 | J20 A | 48 | S9 C | 49 |
| C12 | 47 | J21 B | 48 | S10 D | 49 |
| D1 | 47 | J24 | 48 | S11 | 49 |
| E4 A | 47 | J25 | 48 | S14 A | 49 |
| E6 C | 47 | M13 A | 48 | S15 B | 49 |
| E7 D | 47 | M14 B | 48 | T4 | 49 |
| F12 | 51 | N2 A | 48 | T5 | 49 |
| F13 | 51 | N3 B | 48 | T6 | 53 |
| F14 | 51 | N4 C | 48 | T7 | 53 |
| G1 | 47 | O3 | 52 | T8 | 53 |
| H14 | 47 | P2 | 49 | T9 | 53 |
| J6 | 48 | P6 | 49 | | |

○ : Relay Blocks

| Code | See Page | Relay Blocks (Relay Block Location) |
|------|----------|---|
| 3 | 22 | Engine Room R/B (Engine Compartment Left) |

Multi-Display and Audio System with Separate Amplifier

: Junction Block and Wire Harness Connector

| Code | See Page | Junction Block and Wire Harness (Connector Location) |
|------|----------|--|
| 1A | 28 | Engine Room Main Wire and Driver Side J/B (Lower Finish Panel) |
| 1F | 28 | Instrument Panel Wire and Driver Side J/B (Lower Finish Panel) |
| 1G | | |
| 1K | | |
| 1L | | |
| 1M | | |
| 3H | | |
| 4C | 36 | Instrument Panel Wire and Center Connector No.1 (Behind the Combination Meter) |
| 4D | | |
| 4F | | |
| 4H | | |
| 4I | | |
| 4L | | |
| 5B | 40 | Instrument Panel Wire and Center Connector No.2 (Instrument Panel Brace RH) |
| 5C | | |
| 5D | | |
| 5E | | |
| 5G | | |
| 5H | | |
| 5I | | |
| 5J | | |
| 5K | | |
| 5L | | |
| 5M | | |
| 5N | | |

: Connector Joining Wire Harness and Wire Harness

| Code | See Page | Joining Wire Harness and Wire Harness (Connector Location) |
|------|----------|---|
| EB1 | 54 | Engine Wire and Engine Room Main Wire (Inside of the Engine Room R/B) |
| IA1 | 56 | Engine Room Main Wire and Instrument Panel Wire (Upper Parts of Front Body Pillar LH) |
| IA3 | | |
| IB1 | 56 | Roof Wire and Instrument Panel Wire (Upper Parts of Front Body Pillar LH) |
| ID4 | 56 | Instrument Panel Wire and Floor Wire (Left Kick Panel) |
| IE2 | 56 | Front Door LH Wire and Instrument Panel Wire (Left Kick Panel) |
| IG1 | 58 | Instrument Panel Wire and Instrument Panel No.2 Wire (Behind the Combination Meter) |
| IG2 | | |
| II1 | 58 | Engine Wire and Instrument Panel Wire (Behind the Glove Box) |
| IJ3 | 58 | Engine Room Main Wire and Instrument Panel Wire (Behind the Glove Box) |
| IL2 | 58 | Front Door RH Wire and Instrument Panel Wire (Right Kick Panel) |
| IM1 | 58 | Instrument Panel Wire and Floor No.2 Wire (Right Kick Panel) |
| IM2 | | |
| BB1 | 60 | Rear Door No.2 Wire and Floor Wire (Left Center Pillar) |
| BJ1 | 62 | Rear Door No.1 Wire and Floor No.2 Wire (Right Center Pillar) |

: Ground Points

| Code | See Page | Ground Points Location |
|------|----------|---------------------------|
| IH | 56 | Cowl Side Panel LH |
| II | 56 | Instrument Panel Brace LH |

